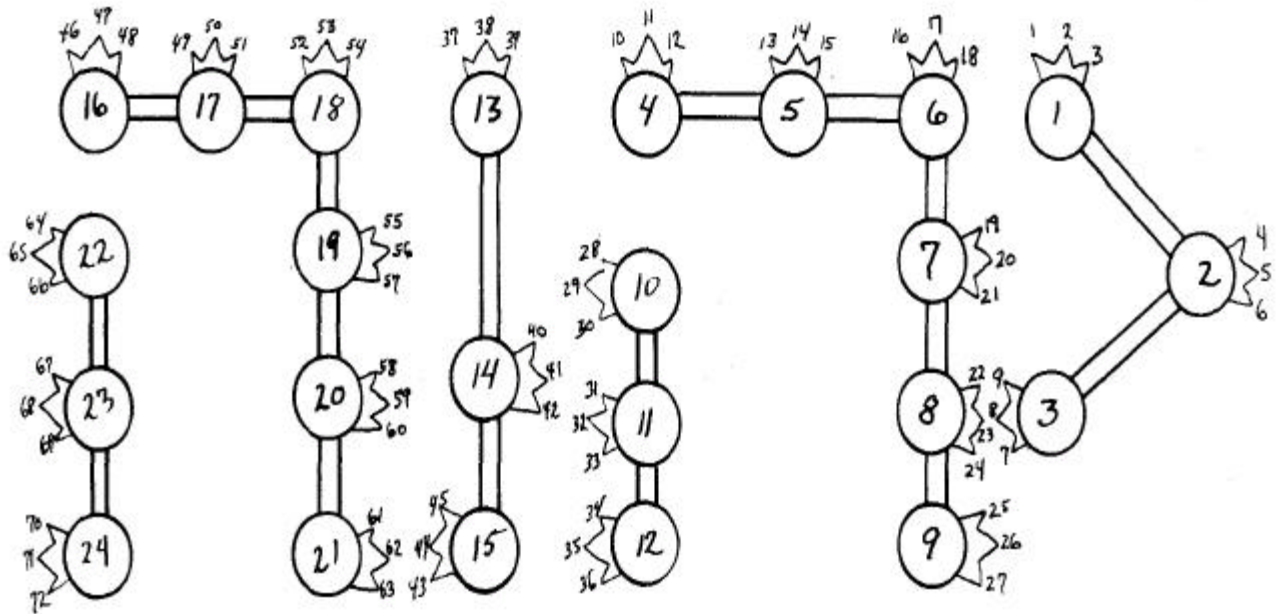


SHEM HA-MEPHORESCH

THE 72 FOLD NAME



This refers to the Seventy Two Names of the Expounded Name YHVH.

Four is the number of the letters of the Tetragrammaton. Four is also the number of the letters of the name ADNI which is its representative and key. The latter name is bound with the former and united thereto, thus IAHDVNHY forming a name of 8 letters. 8×3 , the number of the Supernal Triad, yields the 24 thrones of the Elders of the Apocalypse, each of whom wears on his head a golden crown of three rays, each ray of which is a name, each name an Absolute Idea and Ruling Power of the great name YHVH Tetragrammaton.

The number 24 of the thrones multiplied by the 3 rays of the crown which equals 72, the name of God of 72 letters, which is thus mystically shown in the name YHVH, as under: (Or as the book of Revelation says: "When the living creatures (the four Kerubim the Letters of the Name) give glory to Him, etc. the four and twenty elders fall down before Him and cast their crowns before the Throne, etc." (that is the Crowns, which each bear 3

of the 72 Names, and these 72 names are written on the leaves of the Tree of Life which were for the healing of the nations.)

These are also the 72 names of the ladder of Jacob on which the Angels of God ascended and descended. It will presently be shown how the 72 Angelic names are formed from the 72 Names of the Deity, and also how their signification is to be found. The 72 Names of the Deity are thus obtained. The 19th, 20th, and 21st verses of the XIV Chapter of the Book of Exodus each consist of 72 letters.

(The English translation is:) 19th verse: "And the Angel of the Elohim, that went before the camp of Israel, removed and went behind them; and the pillar of cloud removed from before them and stood behind them."

20th verse: "And it came between the camp of the Egyptians and the camp of Israel; and it was a cloud and darkness (to the first) but it gave light by night (to these); and the one came not near unto the other all the night."

21st verse: "And Moses stretched out his hand over the sea, and the Lord drove back the sea with a strong east wind all that night and made the sea dry land, and the waters divided."

These three verses are now to be written at length one above the other, the first from right to left, and the second from left to right, and the third from right to left; and as they contain 72 letters, there will be 72 columns of three letters each. Then each column will give a word of three letters, and there will be 72 names of three letters each, which are the Schem ha Mephoresch or 72 Names of the Deity, expounding the Powers of the name YHVH.

From these names 72 Names of Angels are formed by the addition of, in some cases, the suffice YH which signifies Mercy and Beneficence, or in others of the suffice AL which signifies Severity and Judgment. Or as it is said: "And the Name is in Him, etc."

These 72 Angels rule over the 72 Quinances or sets of 50 of the Zodiac, and therefore each decanate or set of 100 of a Sign has 2 Quinances, and each sign has 3 decanates, which are again allotted to the Planets in regular order. This is the formation as given above (each Angel's name containing 5 letters and each name of Deity 3.).

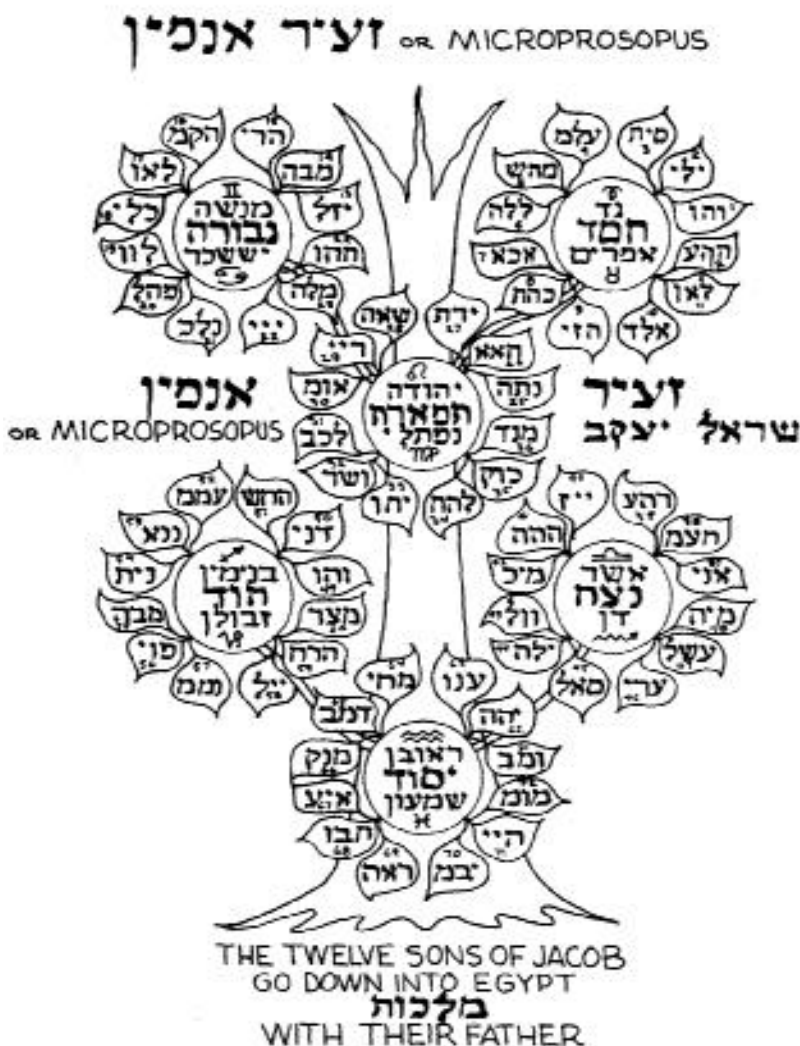
These then are the Schem ha-Mephoresch or 72 Angels bearing the Name of God, classed into nine sets of 8, each answering to the nine choirs of Angels, and also divided into 4 great divisions of 18 each, each division under the Presidency of one of the four letters of the Name YHVH.

They are further classed as belonging to the decanates of the Zodiac as follows: 2 Quinances to each decanate. The first division of 3 Signs is under the Presidency of Y, the letter of Fire. The second Division of 3 signs, headed by the Watery sign Cancer, is under the Presidency of H the Letter of Water. The third division of 3 Signs headed by

the Airy Sign Libra is under the Presidency of VAU, the letter of Air. And the 4th division of 3 signs headed by the Earthy Sign Capricorn is under the Presidency of HEH final, the letter of Earth.

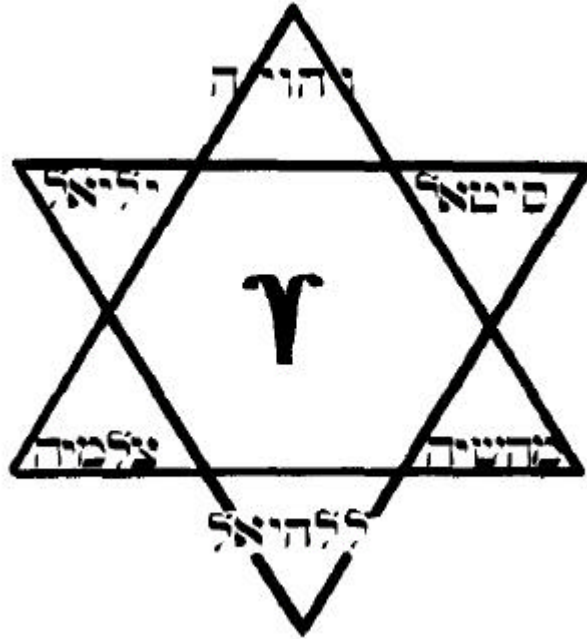
But it should be remembered that the most powerful rule of Y of Tetragrammaton is over the Fiery Triplicity; that of H over the Watery Triplicity; that of Vau over the Airy Triplicity; and that of H final over the Earthy Triplicity.

In the 22nd chapter of the Apocalypse of St. John it is said that “The Tree of Life which bare Twelve manner of fruits and yielded her fruit every month, and the leaves of the Tree were for the healing of the Nations. And there shall be no more curse; but the Throne of God and of the Lamb shall be in it.” This is exemplified in the drawing taken from the 3-8 Altar Diagram. The “TwelveManner of fruits yielded every month” answer to the signs of the Zodiac and the Twelve Tribes of the Sons of Jacob. Also to the twelve apostles. The healing leaves are those of Schem ha-Mephoresch or the divided Name of Zaur Anpin, the Microprosopus, the Christ, the Lamb of Elohim, whose Throne is in the Tree, from which Throne issues the River of the Waters of Life.



The Seventy two leaves of the Tree of Life are Zaur Anpin or Microprosopus. Now the Twelve Sons of Jacob go down into Egypt, that is the Kingdom, Malkuth, which has been destroyed in the Fall, and cut from the Sephirothic Tree by the intersecting folds of the great Dragon who then becomes its Ruler as shown in the great Altar Diagram of the 4-7 grade. "Behold, I am against thee, Pharaoh, King of Egypt, the great dragon that lieth in the midst of the Rivers." And the first of the sons of Jacob who goeth down is Joseph whose two Tribes, Ephraim and Manasseh, balance each other in Chesed and Geburah. That is to say, that there first comes down into the desolated Earth the combined power of Mercy and Severity. And Ephraim, the Kerubic sign of the Ox, is the natural ruler of Earth in Malkuth, under the power of H final of the Holy Name, the Bride, Eve, and the Queen. And the Schem ha-Mephoresch, the 72, are found in the number of the family of Jacob's sons is 70; and Jacob and Joseph equals 72. But the then ruling Pharaoh, corresponds more to Hadar amongst the Edomite Kings, as representing one of not so evil

a tendency. Yet as the Apocalyptic symbol of the Lamb and the Airy Sign which leads off the Schem ha-Mephoresch is Chesed; one opposed to the evil symbol of the Dragon, so is every shepherd an abomination to the Egyptians, who yet are friendly with the Ox symbol, the Kerubic Ruler of Earth, and therefore is it symbolically said by the Children of Israel that their business has been about cattle and not about sheep.



NAMES AND MEANINGS OF THE 72 VERSES

1st Angel

NAME: Vahuaih

SIGN: Leo

PLANET: Saturn

DEGREE: 0—5

MEANING: God the Exalter

PSALM 3:4: “And Thou, O Tetragrammaton, art a Shield
about me, my Glory and He who lifteth up my head.”

2nd Angel

NAME: Yelauiel

SIGN: Leo

PLANET: Saturn

DEGREE: 5—10

MEANING: Strength

PSALM 22:20: “And Thou, O Tetragrammaton, be not far off, O my Strength, to help me make haste.”

3rd Angel

NAME: Satiel

SIGN: Leo

PLANET: Jupiter

DEGREE: 10—15

MEANING: Refuge, Fortress, Confidence

PSALM 9 1:2: “I will say unto Tetragrammaton, My refuge and fortress, my God, I will be confident in him.”

4th Angel

NAME: Nghelamiah

SIGN: Leo

PLANET: Jupiter

DEGREE: 15—20

MEANING: Concealed, saving

PSALM 6:5: “Return O Tetragrammaton, deliver my soul,

save me because of Thy mercy.”

5th Angel

NAME: Mahasiah

SIGN: Leo

PLANET: Mars

DEGREE: 20—25

MEANING: Seeking safety from trouble.

PSALM 34:5: “I sought Tetragrammaton, and He answered me
and out of all my fears He delivered me.”

NAMES AND MEANINGS OF THE 72 VERSES’7-’8

6th Angel

NAME: Lelahel

SIGN: Leo

PLANET: Mars

DEGREE: 25—30

MEANING: Praiseworthy, declaring.

PSALM 9:12: “Sing Psalms unto Tetragrammaton Who
inhabiteth, shew forth among the nations His deeds.”

7th Angel

NAME: Akaiah

SIGN: Virgo

PLANET: Sun

DEGREE: 0-5

MEANING: Long suffering

PSALM: 103:8: “Merciful and gracious is Tetragrammaton, long

suffering and plentiful of Mercy.”

8th Angel

NAME: Kehethel

SIGN: Virgo

PLANET: Sun

DEGREE: 5—10

MEANING: Adorable.

PSALM 95:6: “Come ye, we will bow down and bend before
Tetragrammaton who hath made us.”

9th Angel

NAME: Hazeyael

SIGN: Virgo

PLANET: Venus

DEGREE: 10—15

MEANING: Merciful

PSALM 25:6: “Remember Thy tender mercies, O Tetragrammaton, and Thy mercies, for
from of old they were.”

10th Angel

NAME: Eldiah

SIGN: Virgo

PLANET: Venus

DEGREE: 15—20

MEANING: Profitable

PSALM 33:22: “There shall be Thy mercy, O Tetragrammaton, upon us, as we have
hoped in Thee.”

11th Angel

NAME: Leviah

SIGN: Virgo

PLANET: Mercury

DEGREE: 20—25

MEANING: Meet to be exalted.

PSALM 18:47: “Liveth Tetragrammaton, and blessed by my Rock, and there shall arise the God of my salvation.”

12th Angel

NAME: Hihaiiah

SIGN: Virgo

PLANET: Mercury

DEGREE: 25—30

MEANING: Refuge

PSALM 10:1: “Why O Tetragrammaton, wilt Thou stand afar, why wilt Thou hide Thyself at times of trouble.”

13th Angel

NAME: lezalel

SIGN: Libra

PLANET: Moon

DEGREE: 0—5

MEANING: Rejoicing over all things.

PSALM 98:4 “Shout ye to Tetragrammaton, all the Earth, break ye forth, and shout for Joy, and sing Psalms.”

14th Angel

NAME: Mebahael

SIGN: Libra

PLANET: Moon

DEGREE: 5—10

MAANING: Guardian and preserver.

PSALM 9:10: “And Tetragrammaton shall be a high place for the oppressed, a high place for seasons in distress.”

15th Angel

NAME: Harayel

SIGN: Libra

PLANET: Saturn

DEGREE: 10—15

MEANING: Aid.

PSALM 94:22: “And Tetragrammaton is become unto me a refuge, and my God is the Aid of my Hope.”

16th Angel

NAME: Hoqamiah

SIGN: Libra

PLANET: Saturn

DEGREE: 15—20

MEANING: Raise up, praying day and night.

PSALM 88:2: “O Tetragrammaton, God of my Salvation in the day I have cried, and in the night before Thee.”

17th Angel

NAME: Laviah

SIGN: Libra

PLANET: Jupiter

DEGREE: 20—25

MEANING: Is Wonderful

PSALM 8:1: “O Tetragrammaton, our Lord, how excellent is Thy Name in all the Earth.”

18th Angel

NAME: Keliel

SIGN: Libra

PLANET: Jupiter

DEGREE: 25—30

MEANING: Worthy to be invoked. Just to me.

PSALM 25:24: “Judge me accordingly to Thy righteousness, Tetragrammaton, my God, and let them rejoice over me.”

19th Angel

NAME: Livoih

SIGN: Scorpio

PLANET: Mars

DEGREE: 0-5

MEANING: Hastening to hear.

PSALM 40:2: “Expecting, I expected Tetragrammaton, and He inclined unto me, and heard my cry.”

20th Angel

NAME: Pheheliah

SIGN: Scorpio

PLANET: Mars

DEGREE: 5—10

MEANING: Redeemer, liberator.

PSALM 120:1, 2:20 “In my distress I cried to Thee O Tetragrammaton, and He heard me.” “Deliver my soul O Tetragrammaton, from lying lips, and from deceitful tongues.”

21st Angel

NAME: Nelakhel

SIGN: Scorpio

PLANET: Sun

DEGREE: 10—15

MEANING: Thou alone.

PSALM 31:15: “And in Thee I have confided, O Tetragrammaton, I have said Thou art my God.”

22nd Angel

NAME: Yeiael

SIGN: Scorpio

PLANET: Sun

DEGREE: 15—20

MEANING: Thy right hand.

PSALM 121:5: “Tetragrammaton Keepeth Thee. Tetragrammaton is Thy shadow upon Thy right hand.”

23rd Angel

NAME: Malahel

SIGN: Scorpio

PLANET: Venus

DEGREE: 20—25

MEANING: Turning away evil.

PSALM 121:8: “Tetragrammaton will keep thy going out and thy coming in from now until Ever.”

24th Angel

NAME: Hahauiah

SIGN: Scorpio

PLANET: Venus

DEGREE: 25—30

MEANING: Goodness in Himself. Trust in Thy mercy.

PSALM 33:18: “From Tetragrammaton is a blessing upon those that fear Him, and those who trust in Him.”

25th Angel

NAME: Nethhiah

SIGN: Sagittarius

PLANET: Mercury

DEGREE: 0—5

MEANING: Wide in extent, the enlarger, wonderful.

PSALM 9:1: “I will give thanks unto Tetragrammaton with all my heart, will tell of all Thy wondrous works.”

26th Angel

NAME: Heeiah

SIGN: Sagittarius

PLANET: Mercury

DEGREE: 5—10

MEANING: Heaven in secret.

PSALM 119:145: “I have called with all my heart, answer

me Tetragrammaton, I will preserve Thy statutes.”

27th Angel

NAME: Irthel

SIGN: Sagittarius

PLANET: Moon

DEGREE: 10—15

MEANING: Deliver

PSALM 140:2: “Deliver me O Tetragrammaton, from the
Evil Man, from the Man of violence preserve Thou me.”

28th Angel

NAME: Sehaiah

SIGN: Sagittarius

PLANET: Moon

DEGREE: 15—20

MEANING: Taker away of Evils.

PSALM 71.12: “O Tetragrammaton be not far from me, O my
Tetragrammaton make haste for my help.”

29th Angel

NAME: Rayayel

SIGN: Sagittarius

PLANET: Saturn

DEGREE: 20—25

MEANING: Expectation.

PSALM 54:4: “Behold, Elohim helpeth me, and Tetragrammaton is with them who
uphold my soul.”

30th Angel

NAME: Evamel

SIGN: Sagittarius

PLANET: Saturn

DEGREE: 25—30

MEANING: Patience.

PSALM 71:5: “For Thou art my Hope, O Tetragrammaton: O

Adonai, my confidence from my Youth.”

31st Angel

NAME: Lekabel

SIGN: Capricorn

PLANET: Jupiter

DEGREE: 0—5

MEANING: Teacher.

PSALM 71:16: “I will go in strength O Tetragrammaton; O

Adonai, I will make mention of Thy righteousness even of

Thine only.”

32nd Angel

NAME: Veshariah

SIGN: Capricorn

PLANET: Jupiter

DEGREE: 5—10

MEANING Upright.

PSALM 33:4: “For Upright is Tetragrammaton of the Word,

and all His works are in Truth.”

33rd Angel

NAME: Yechuiah

SIGN: Capricorn

PLANET: Mars

DEGREE: 10—15

MEANING: Knower of all things.

PSALM 94:11: “Tetragrammaton knoweth the thoughts of man, that they are in vain.”

34th Angel

NAME: Lehahaih

SIGN: Capricorn

PLANET: Mars

DEGREE: 15—20

MEANING: Clement, merciful.

PSALM 131:3: “Let Israel trust in Tetragrammaton, now and for ever.”

35th Angel

NAME: Keveqaiyah

SIGN: Capricorn

PLANET: Sun

DEGREE: 20—25

MEANING: To be rejoiced in.

PSALM 116:1: “I have rejoiced because Tetragrammaton hath heard the voice of my supplication.”

36th Angel

NAME: Mendiél

SIGN: Capricorn

PLANET: Sun

DEGREE: 25—30

MEANING: Honourable.

PSALM 26:8: “O Tetragrammaton, I have loved the habitation of Thy house and the place of the abiding of Thine Honour.”

37th Angel

NAME: Anaiel

SIGN: Aquarius

PLANET: Venus

DEGREE: 0-5

MEANING: Lord of Virtues.

PSALM 80:18: “O Tetragrammaton Elohim Tzaboath, turn us and cause Thy Face to shine upon us, and we shall be saved.”

38th Angel

NAME: Chaamiah

SIGN: Aquarius

PLANET: Venus

DEGREE: 5-10

MEANING: Hope of all the ends of the Earth.

PSALM 9 1:9: “Because Thou, O Tetragrammaton, art my refuge, Thou hast Thy refuge in the Most High.”

39th Angel

NAME: Reheael

SIGN: Aquarius

PLANET: Mercury

DEGREE: 10-15

MEANING: Swift to condone.

PSALM 30:2: “Hear, O Tetragrammaton, and be gracious unto me Tetragrammaton, be Thou my Helper.”

40th Angel

NAME: Yeizael

SIGN: Aquarius

PLANET: Mercury

DEGREE: 15—20

MEANING: Making joyful.

PSALM 88:14: “Why O Tetragrammaton, repelled Thou my soul, and hidest Thy face from me.”

41st Angel

NAME: Kehihel

SIGN: Aquarius

PLANET: Moon

DEGREE: 20—25

MEANING: Triune.

PSALM 12:2: “O Tetragrammaton deliver my soul from a lip of lying, from a tongue of guile.”

42nd Angel

NAME: Mikhael

SIGN: Aquarius

PLANET: Moon

DEGREE: 25—30

MEANING: Who is like unto Him.

PSALM 121:7: “Tetragrammaton shall keep thee from all Evil,
He shall preserve thy soul.”

43rd Angel

NAME: Vavaliah

SIGN: Pisces

PLANET: Saturn

DEGREE: 0—5

MEANING: King and Ruler.

PSALM 88:13: “And I, unto Thee, O Tetragrammaton, have
cried, and in the morning my prayer shall come before Thee.”

44th Angel

NAME: Ilhaiah

SIGN: Pisces

PLANET: Saturn

DEGREE: 5—10

MEANING: Abiding for ever.

PSALM 119:108: “Let the freewill Offerings of my mouth,
please Thee, O Tetragrammaton, and teach me Thy Judgements.”

45th Angel

NAME: Saelaih

SIGN: Pisces

PLANET: Jupiter

DEGREE: 10—15

MEANING: Mover of all things.

PSALM 94:18: “When I said, my foot hath been moved,

Thy mercy, O Tetragrammaton, will uphold me.”

46th Angel

NAME: Ngharaiel

SIGN: Pisces

PLANET: Jupiter

DEGREE: 15-20

MEANING: Revealer

PSALM 145:9: “Tetragrammaton is good unto every man, and

His Mercies are over all His works.”

47th Angel

NAME: Aslaiah

SIGN: Pisces

PLANET: Mars

DEGREE: 20—25

MEANING: Just Judge.

PSALM 92:5: “How Great have been Thy Works O Tetragrammaton, very deep have been Thy devices.”

48th Angel

NAME: Mihel

SIGN: Pisces

PLANET: Mars

DEGREE: 25—30

MEANING: Sending Forth as a father.

PSALM 98:2: “Tetragrammaton hath made known His salvation, in the sight of the Nations hath He revealed His justice.”

49th Angel

NAME: Uhauei

SIGN: Aries

PLANET: Mars

DEGREE: 0—5

MEANING: Great and Lofty.

PSALM 145:3: “Great is Tetragrammaton and greatly to be praised, and unto His greatness there is not an end.”

50th Angel

NAME: Deneyael

SIGN: Aries

PLANET: Mars

DEGREE: 5—10

MAANING: Merciful Judge

PSALM 145:8: “Merciful and gracious is Tetragrammaton, slow to anger and abounding in Mercy.”

51st Angel

NAME: Kechasheiah

SIGN: Aries

PLANET: Sun

DEGREE: 10—15

MEANING: Secret and Impenetrable.

PSALM 104:31: “The Glory of Tetragrammaton shall endure for ever, Tetragrammaton shall rejoice in His works.”

52nd Angel

NAME: Amamiah

SIGN: Aries

PLANET: Sun

DEGREE: 15—20

MEANING: Covered in darkness. PSALM 7:17: “I will give thanks unto Tetragrammaton

according to His righteousness, and I will sing Psalms unto the Name of Tetragrammaton Most High.”

53rd Angel

NAME: Nangel SIGN: Aries PLANET: Venus DEGREE: 20—25

MEANING: Caster down of the Proud.

PSALM 119:75: “I have known, O Tetragrammaton that righteous are Thy Judgements, and in faithfulness hast Thou humbled me.”

54th Angel

NAME: Nithael

SIGN: Aries

PLANET: Venus

DEGREE: 25-30

MEANING: Celestial King.

PSALM 103:19: “Tetragrammaton hath established His

Throne in Heaven, and His Kingdom ruleth over all.”

55th Angel

NAME: Mibahaih

SIGN: Taurus

PLANET: Mercury

DEGREE: 0-5

MEANING: Eternal.

PSALM 102:12: “But Thou O Tetragrammaton, shall endure forever, and Thy memorial from generation to generation.”

56th Angel

NAME: Puiael

SIGN: Taurus

PLANET: Mercury

DEGREE: 5—10

MEANING: Supporting all Things.

PSALM 145:14: “Tetragrammaton upholdeth all those who fall, and lifteth up all those who are down.”

57th Angel

NAME: Nemamaiah

SIGN: Taurus

PLANET: Moon

DEGREE: 10—15

MEANING: Lovable.

PSALM 115:11: “Ye who fear Tetragrammaton, confide in Tetragrammaton, their Help and their Shield is He.”

58th Angel

NAME: Yeileel

SIGN: Taurus

PLANET: Moon

DEGREE: 15—20

MEANING: Hearer of cries.

PSALM 6:3: “And my soul hath been greatly troubled, and Thou, Tetragrammaton, how long.”

59th Angel

NAME: Herachael

SIGN: Taurus

PLANET: Saturn

DEGREE: 20—25

MEANING: Permeating all Things.

PSALM 113:3: “From the rising of the sun to the going down of the same, let the Name of Tetragrammaton be praised.”

60th Angel

NAME: Metzrael

SIGN: Taurus

PLANET: Saturn

DEGREE: 25—30

MEANING: Raising up the oppressed.

PSALM 145:17: “Righteous is Tetragrammaton in all His Ways, and Holy in all His Works.”

61st Angel

NAME: Vamibael

SIGN: Gemini

PLANET: Jupiter

DEGREE: 0—5

MEANING: The name which is over all.

PSALM 118:2: “Let the Name of Tetragrammaton be praised from this time forth and for evermore.”

62nd Angel

NAME: lahahel

SIGN: Gemini

PLANET: Jupiter

DEGREE: 5-10

MEANING: Supreme Ens or essence.

PSALM 119:159: “See how I have loved Thy Precepts, O Tetragrammaton, in Thy Mercy keep me alive.”

63rd Angel

NAME: Nghaneauel

SIGN: Gemini

PLANET: Mars

DEGREE: 10-15

MEANING: Rejoicing

PSALM 100:2: “Serve Tetragrammaton with Joy, enter those who fear Him, unto those who hope in His mercy.”

64th Angel

NAME: Mochaiel

SIGN: Gemini

PLANET: Mars

DEGREE: 15-20

MEANING: Vivifying

PSALM 33:18: “Behold, the eyes of Tetragrammaton is unto those who fear Him, unto those who hope in His mercy.”

65th Angel

NAME: Damabaiiah

SIGN: Gemini

PLANET: Sun

DEGREE: 20-25

MEANING: Fountain of Wisdom.

PSALM 90:13: “Return O Tetragrammaton how long! and repent Thee concerning Thy servants.”

66th Angel

NAME: Menqel

SIGN: Gemini

PLANET: Sun

DEGREE: 25-30

MEANING: Nourishing All.

PSALM 38:21: “Forsake me not O Tetragrammaton, my God be not Thou far from me.”

67th Angel

NAME: Aiael

SIGN: Cancer

PLANET: Venus

DEGREE: 0-5

MEANING: Delights of the Sons of men.

PSALM 37:4: “Delight in Tetragrammaton, and He shall

give the desire of thy heart.”

68th Angel

NAME: Chabeoiah

SIGN: Cancer

PLANET: Venus

DEGREE: 5-10

MEANING: Most Liberal Giver.

PSALM 106:1: “O give thanks unto Tetragrammaton, for
He is good, for His mercy endureth forever.”

69th Angel

NAME: Rohael

SIGN: Cancer

PLANET: Mercury

DEGREE: 10-15

MEANING: Beholding all.

PSALM 16:5: “Tetragrammaton is the portion of my inheritance and my cup, Thou maintainest my lot.”

70th Angel

NAME: Yebamaiah

SIGN: Cancer

PLANET: Mercury

DEGREE: 15-20

MEANING: Producing by His Word.

PASSAGE: Genesis 1:1:21 “In the Beginning Elohim created
the substance of the heavens and the substance of the earth.”

71st Angel

NAME: Heyaiel

SIGN: Cancer

PLANET : Moon

DEGREE: 20-25

MEANING: Lord of the Universe.

PSALM 108:30: "I will give thanks unto Tetragrammaton greatly with my mouth, and in the midst of many will I praise Him."

72nd Angel

NAME: Mevamah

SIGN: Cancer

PLANET: Moon

DEGREE: 25-30

MEANING: End of the Universe.

PSALM 116:7: "Turn unto thy rest, O my Soul, for Tetragrammaton rewardeth thee."

The [Seals](#) of These are addressed to the Zelator Adeptus Minor.